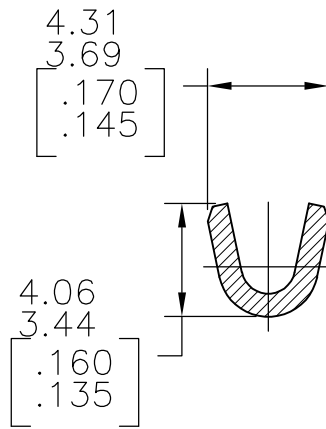
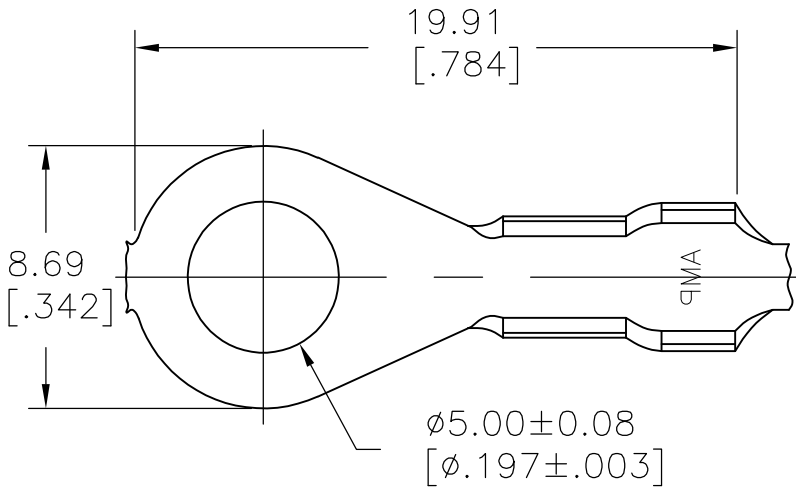
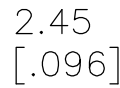
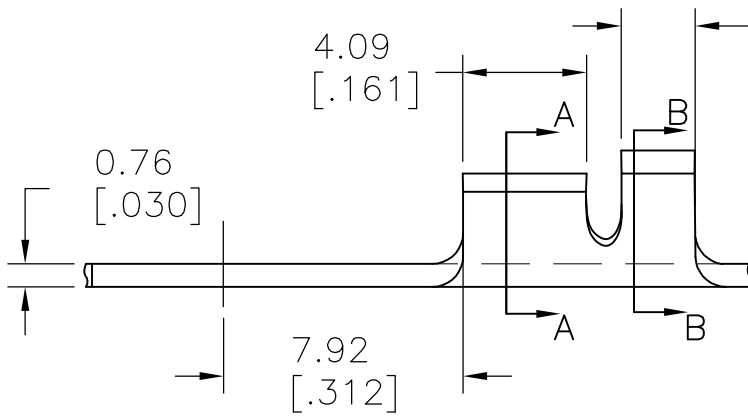


| | | | | | |
|-----------|-----------|---------------------------|---------|-----|------|
| LOC AF | DIST — | REVISIONS | | | |
| P | LTR | DESCRIPTION | DATE | DWN | APVD |
| | G2 | REVISED PER ECO-11-005027 | 11MAR11 | RK | HMR |



SECTION A-A



SECTION B-B

- 1 INSULATION RANGE: #100-140
- 2 WIRE SIZE: #20-16 AWG
- 3 STUD: #10

40955
PART NUMBER

THIS DRAWING IS UNPUBLISHED.

RELEASED FOR PUBLICATION

ALL RIGHTS RESERVED.

© COPYRIGHT - By -

| | | | | |
|--|------------------------|------------------|--------------------|-----------------------|
| DIMENSIONS: mm [INCHES] | DWN RAGHAVENDRA | 220CT10 | MATERIAL BRASS | FINISH TIN |
| | CHK DESANTIS PETER | 220CT10 | | |
| TOLERANCES UNLESS OTHERWISE SPECIFIED: | APVD DESANTIS PETER | 220CT10 | | |
| | 0 PLC ± - | PRODUCT SPEC | NAME RING | |
| 1 PLC ± - | APPLICATION SPEC | SIZE A4 | CAGE CODE 00779 | DRAWING NO C-40955 |
| 2 PLC ± - | WEIGHT | RESTRICTED TO | | — |
| 3 PLC ± .015 | | SCALE 4:1 | | SHEET 1 of 1 |
| 4 PLC ± - | | CUSTOMER DRAWING | | REV G2 |
| ANGLES ± 1° | | | | |

